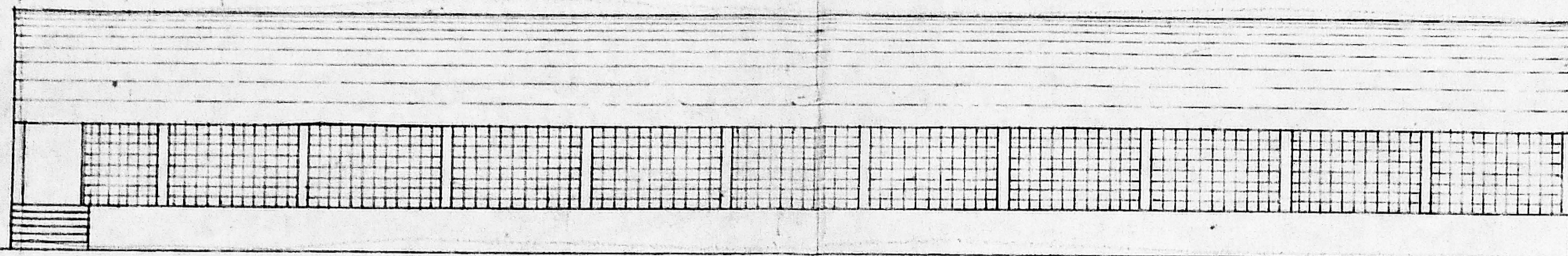


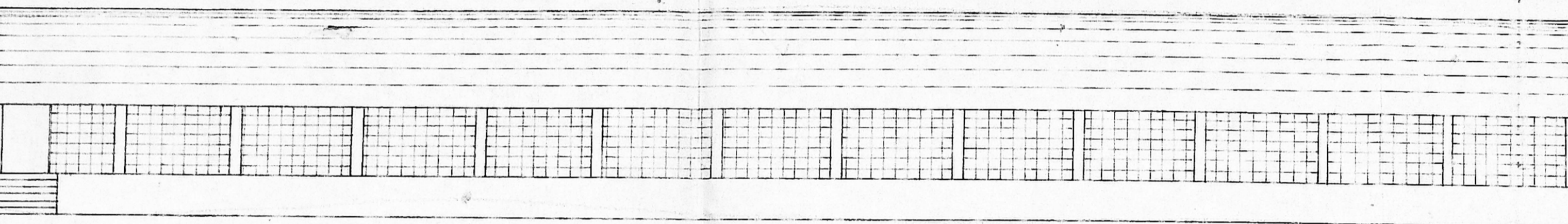
PROPOSED POULTRY SHEDS IN
 S.NO. 132 / 1B1, 2A1, 2B2, 3A, 4A, 4B2, 5A, 5B, & 6
 OF VARADARAJAPURAM VILLAGE
 THIRUPERUMPUTHUR (TALUK) CHENGAI M.G.R
 DIST.



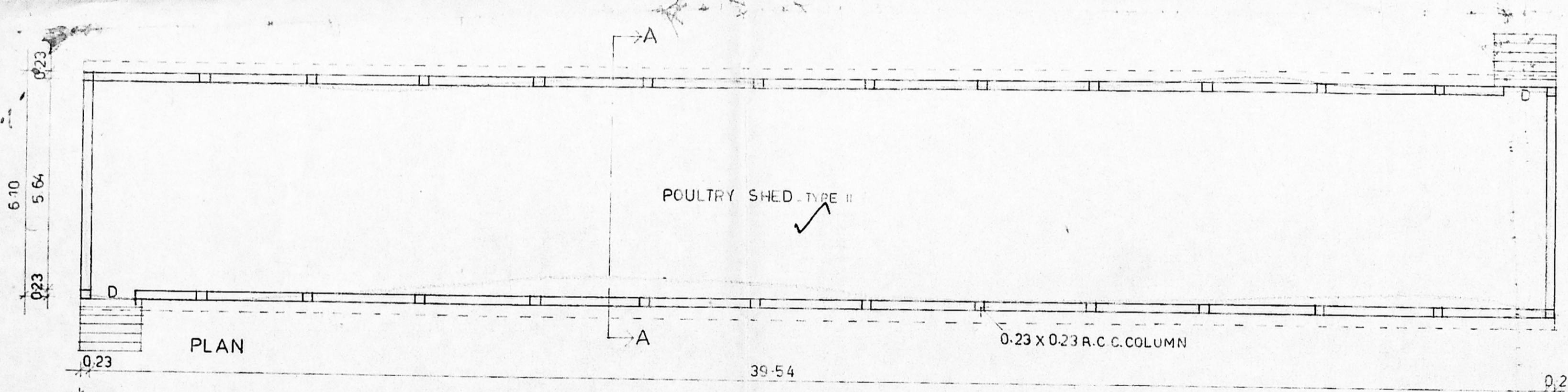
ELEVATION



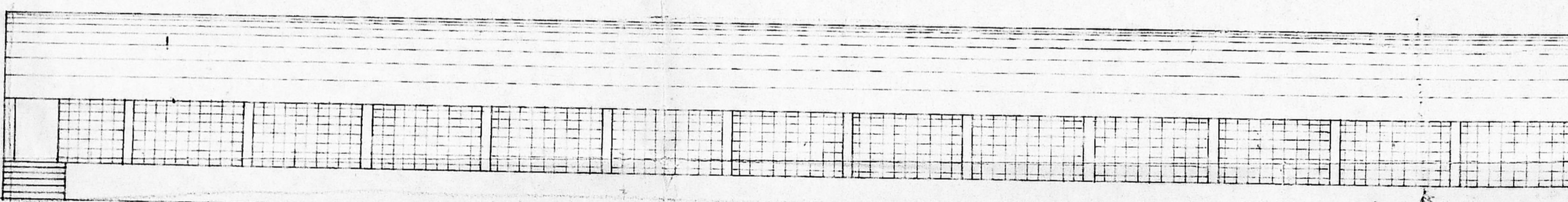
PLAN



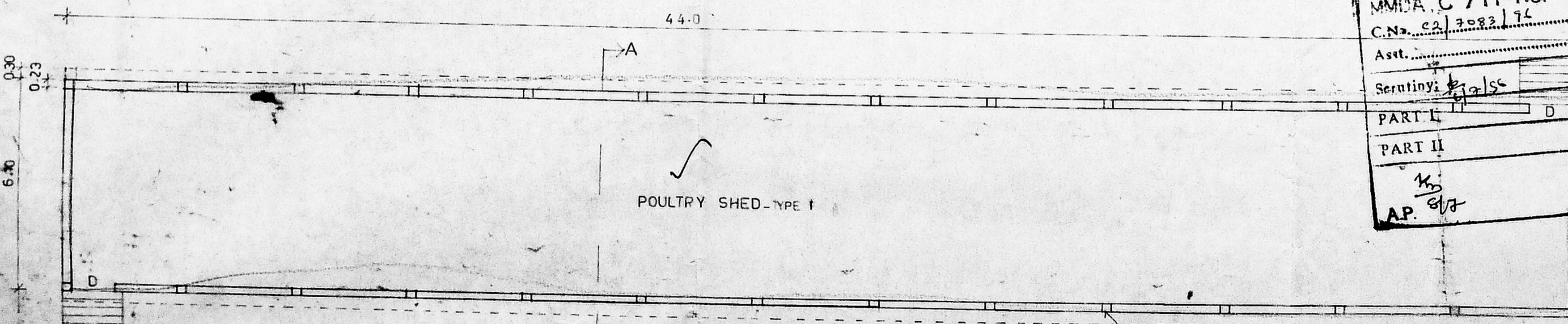
ELEVATION



PLAN

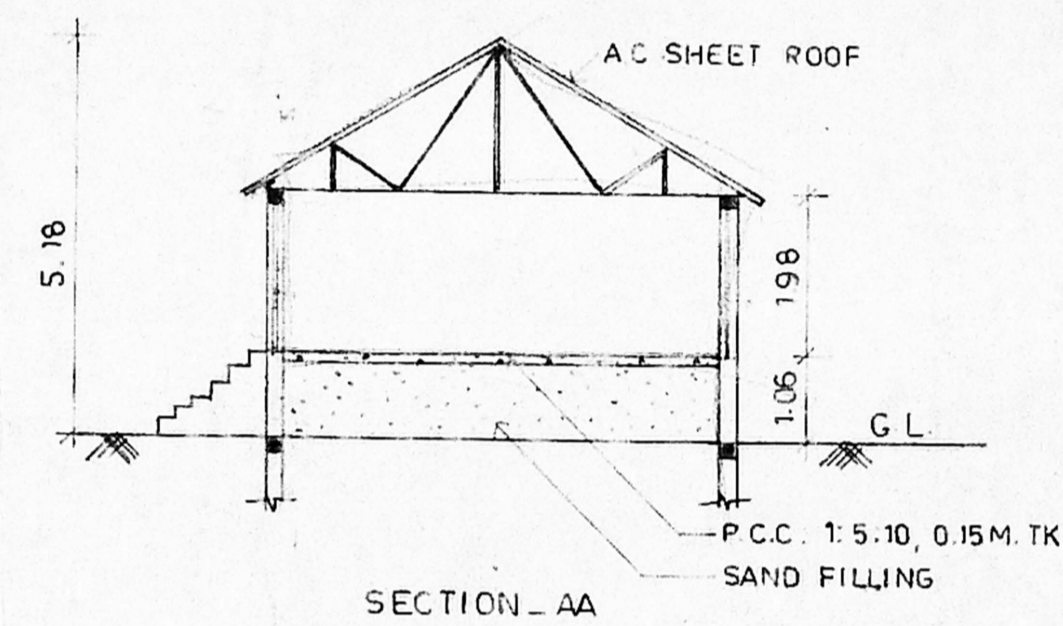


ELEVATION

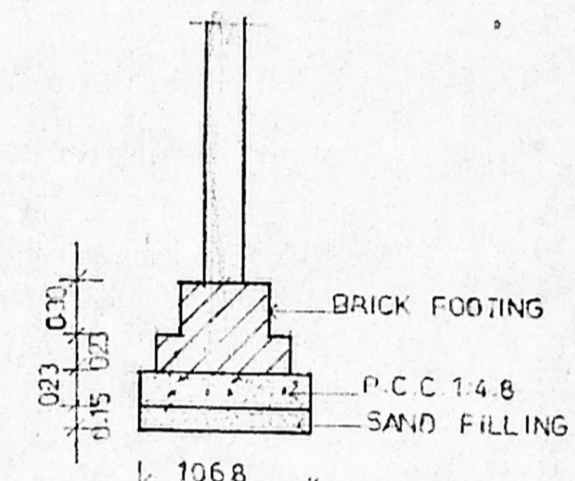


PLAN

Planning Permit No. 210/132-136/56
APPROVED
 SUBJECT TO THE CONDITIONS IN
 THIS OFFICE LETTER.
 Date: 19/08/96
 For Member Secretary
 MADRAS METROPOLITAN
 DEVELOPMENT AUTHORITY
 MADRAS-600 002.



SECTION-AA



WALL FOUNDATION DETAIL
 SCALE 1:50

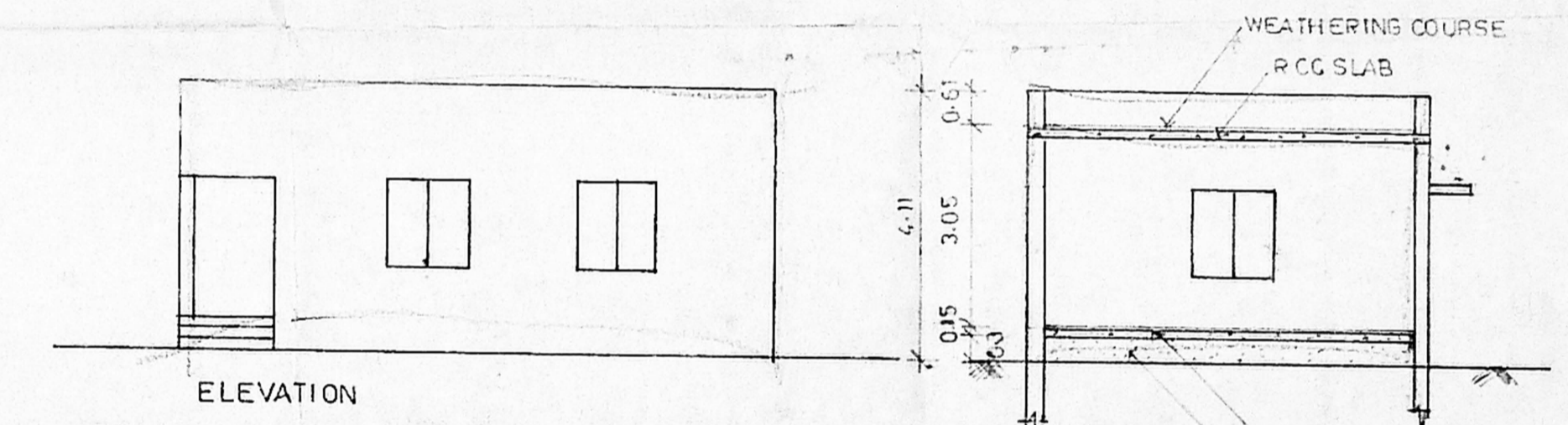
Handwritten signature

OWNERS SIGNATURE

K. VENUGOPAL, B.E., M.E.
 CORPORATION OF MADRAS
 Civil & Sanitary Engineering
 Licensed Surveyor, Class-1 No. 120
 Licensed Plumber, Class-1 Metro. V-100
 Sewerage No. Water No.
 8, Neelakandan Street, Nungambakam, Chennai-600 002
 MADRAS-600 002

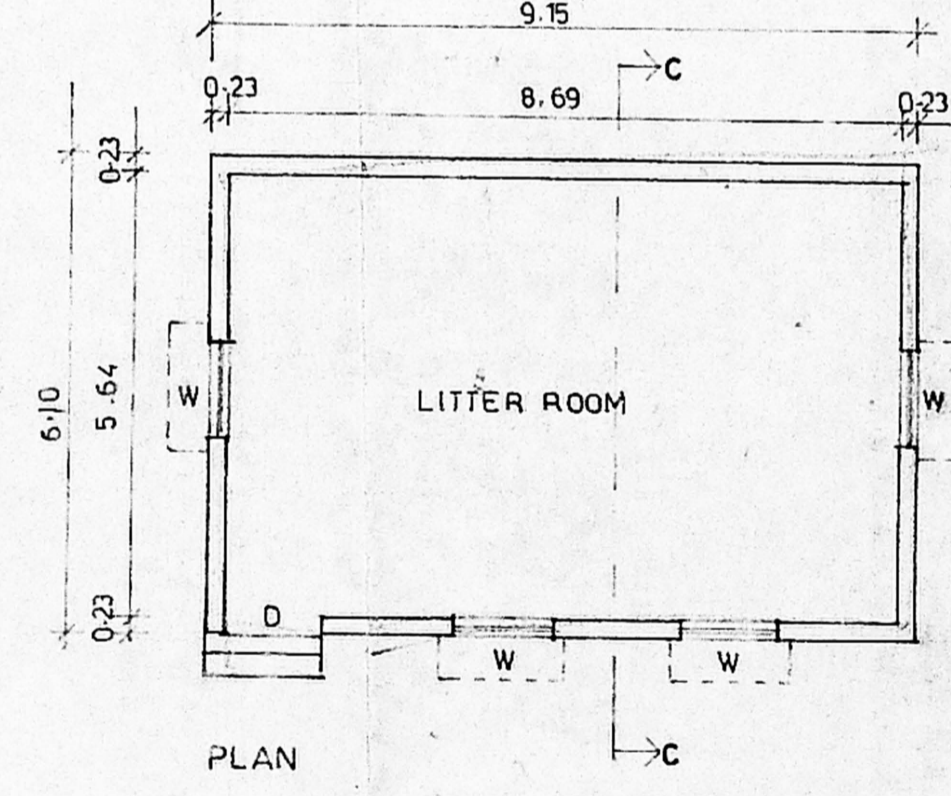
SCHEDULE OF JOINERY

D - DOOR	1.22 X 2.13
W - WINDOW	1.22 X 1.33
V - VENTILATOR	0.50 X 0.60

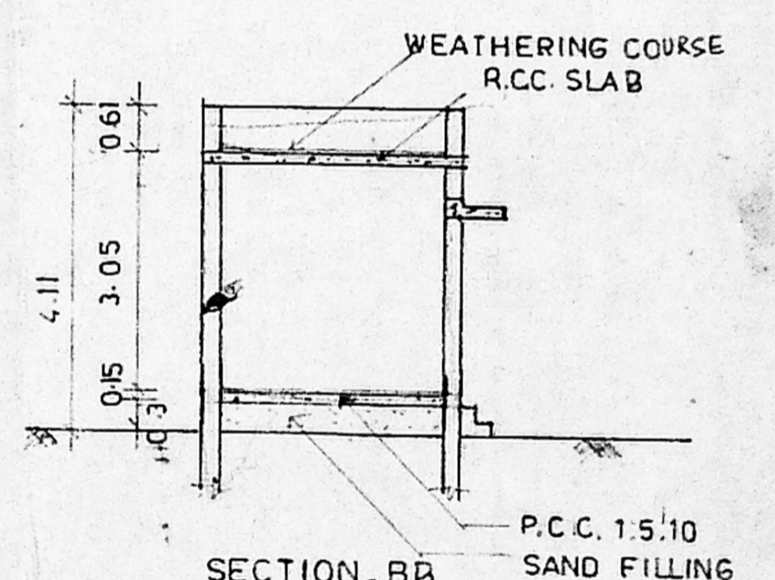


ELEVATION

SECTION-CC

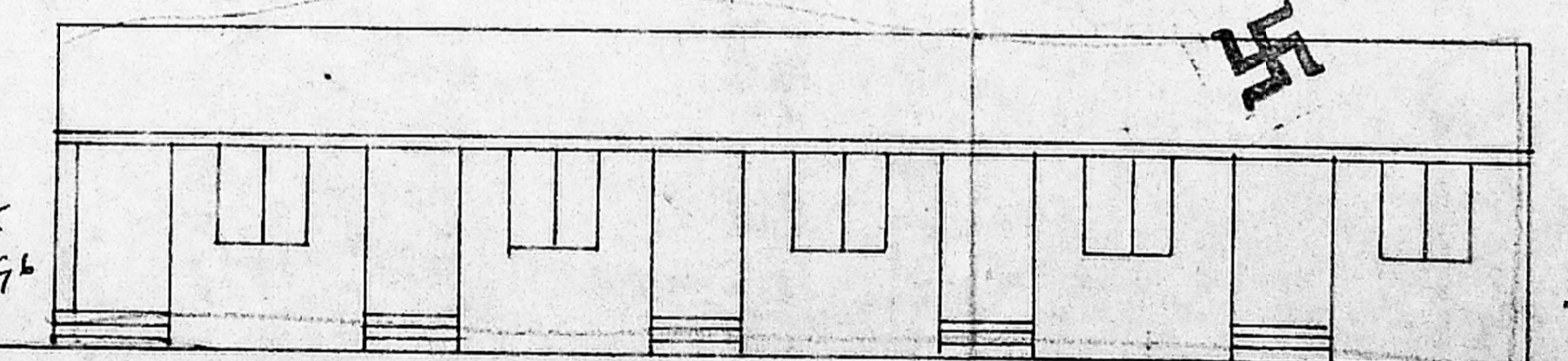


PLAN

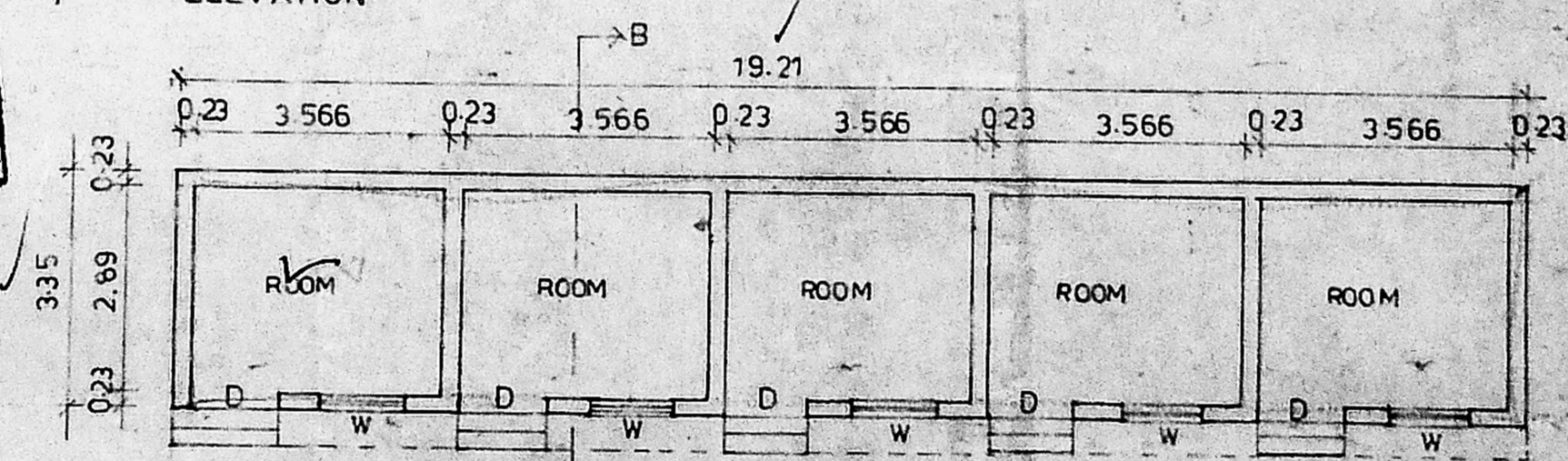


SECTION-BB

MMDA 'C' / PP NO. 1
 C.No. 22/2082/74
 Asst. ...
 Scrutiny ...
 PART I ...
 PART II ...
 AP. 8/7
 D.P.



ELEVATION



SERVANTS QUARTERS
 PLAN